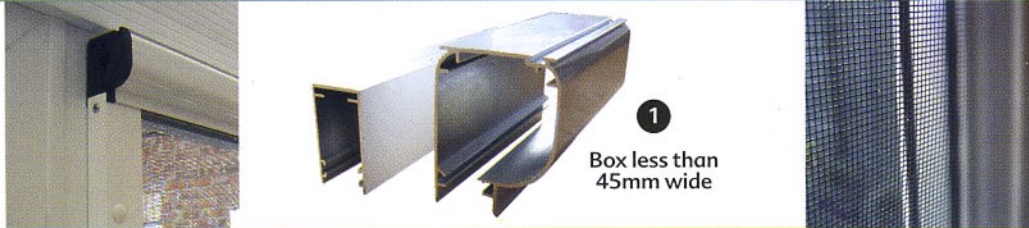


# TECHNICAL DETAILS

The Warm Protection Fly-Away Roller Insect Screen operates like a normal roller blind but locks down when closed to create a safe barrier from unwanted pests. Simple operation ensures a trouble free system which will serve you well over time. Extruded aluminium box and runners complete with brush seals ensure a smooth, neat operation.

An extruded bottom rail with finger lift and base brush finish off an extremely excellent system. The Fly-Away Roller Insect Screen can be fitted internally or externally dependant on the opening of the windows or doors. The Fly-Away Roller Insect Screen can be reveal or face fixed with the option of concealed or visible locking mechanism.

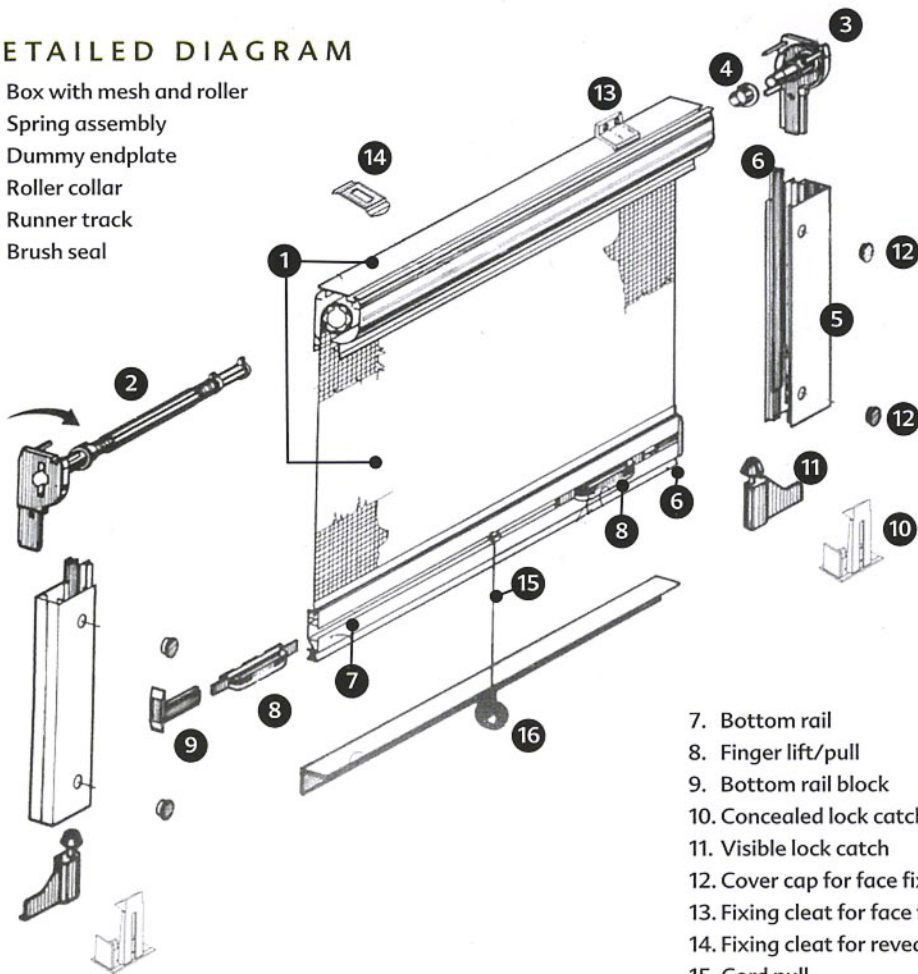
**SPECIALIST  
ROLL SHUTTER  
SYSTEMS**  
by Warm Protection Products Limited



1  
Box less than  
45mm wide

## DETAILED DIAGRAM

1. Box with mesh and roller
2. Spring assembly
3. Dummy endplate
4. Roller collar
5. Runner track
6. Brush seal



7. Bottom rail
8. Finger lift/pull
9. Bottom rail block
10. Concealed lock catch
11. Visible lock catch
12. Cover cap for face fix
13. Fixing cleat for face fix
14. Fixing cleat for reveal fix
15. Cord pull
16. Bottom angle stop (optional)



Unit 5, Throckley Way,  
Middlefields Industrial Est.  
South Shields, Tyne & Wear,  
NE34 0NU  
Tel: 0191 455 9707  
Fax: 0191 427 6855  
admin@warmprotection.com  
www.warmprotection.com

ROLLER INSECT SCREEN